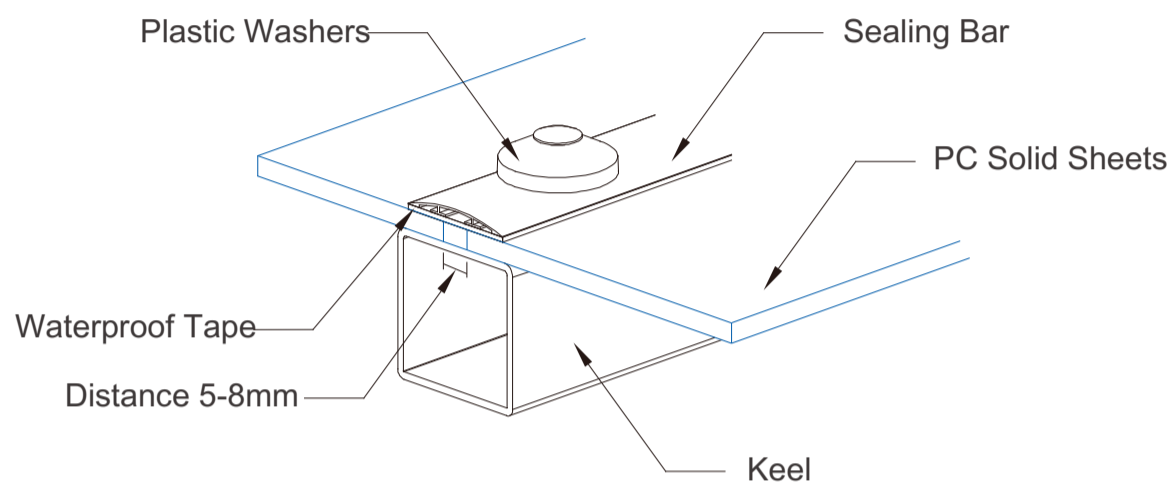


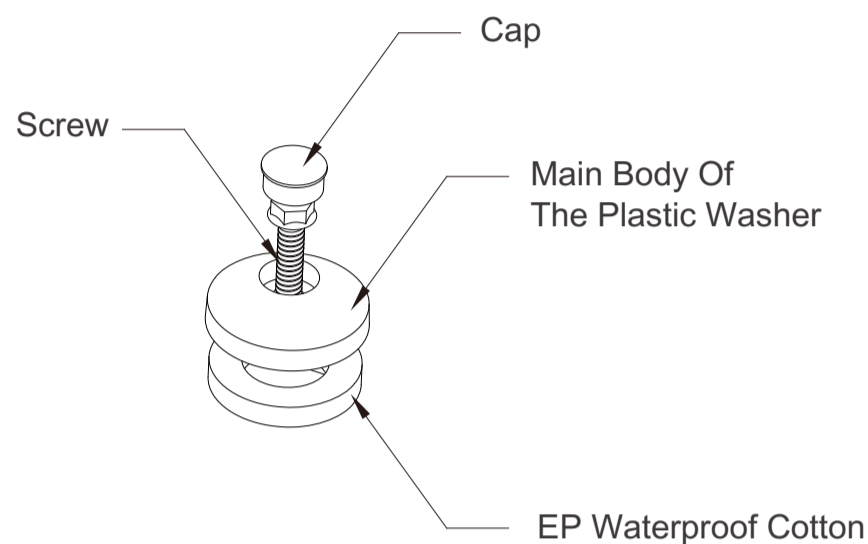


Assembly Guide for polycarbonate Solid sheets

1. Reserve enough space between two piece of sheets: the minimum distance should be 5mm in summer and 8mm in winter (Picture 1) It is advised using plastic washers between two sheets to fix them (Picture 2) Using plastic washers can not only meet the thermal expansion and contraction of the sheets, but also avoid the risk of water leakage.



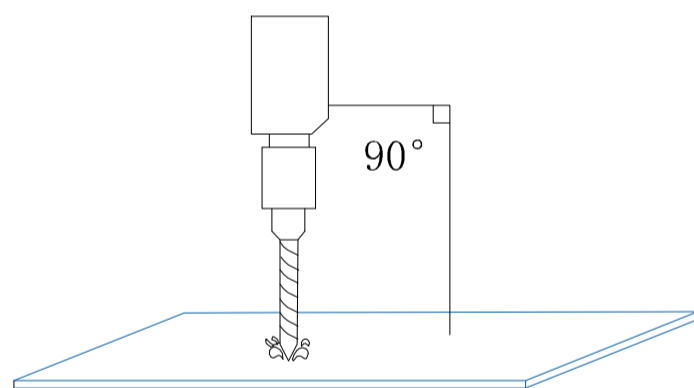
Picture 1



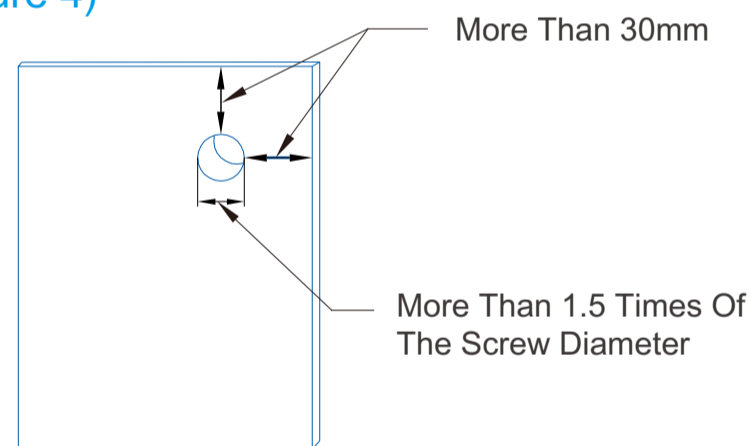
Picture 2

2. View for drilling: To avoid the sheet breakage or water leakage, the center line of the bit should be perpendicular to the surface of the sheet (Picture 3)

The diameter of the hole should be more than 1.5 times of that of the screw. The minimum distance between the external diameter and the side of the sheet should be 30mm (Picture 4)



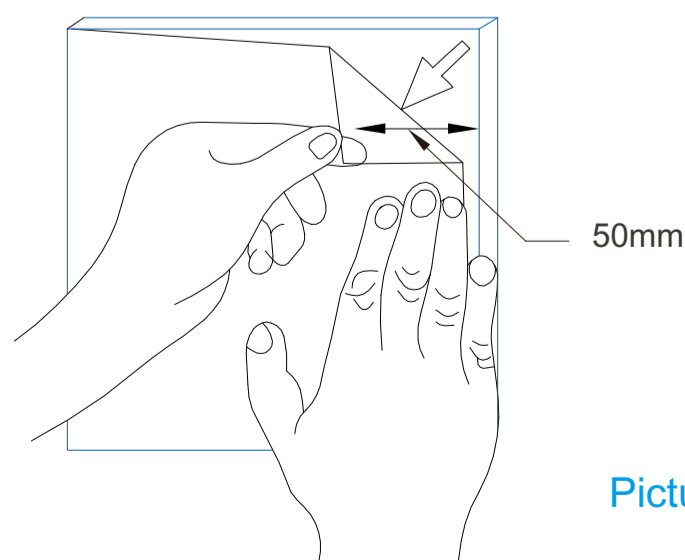
Picture 3



Picture 4

3. Tear off 50mm protective film from the edge during installation. (Picture 5) And remove all the protective film as soon as finishing the installation, or the protective film may adhere to the surface of the sheet and hard to be tore off Avoid strong acids and alkalies.

Spread neutral silicon on both sides of the sheet and put the edges into U-profiles which have been pour into with neutral silicon. The top edge of the U-profile should be sealed with neutral silicon.



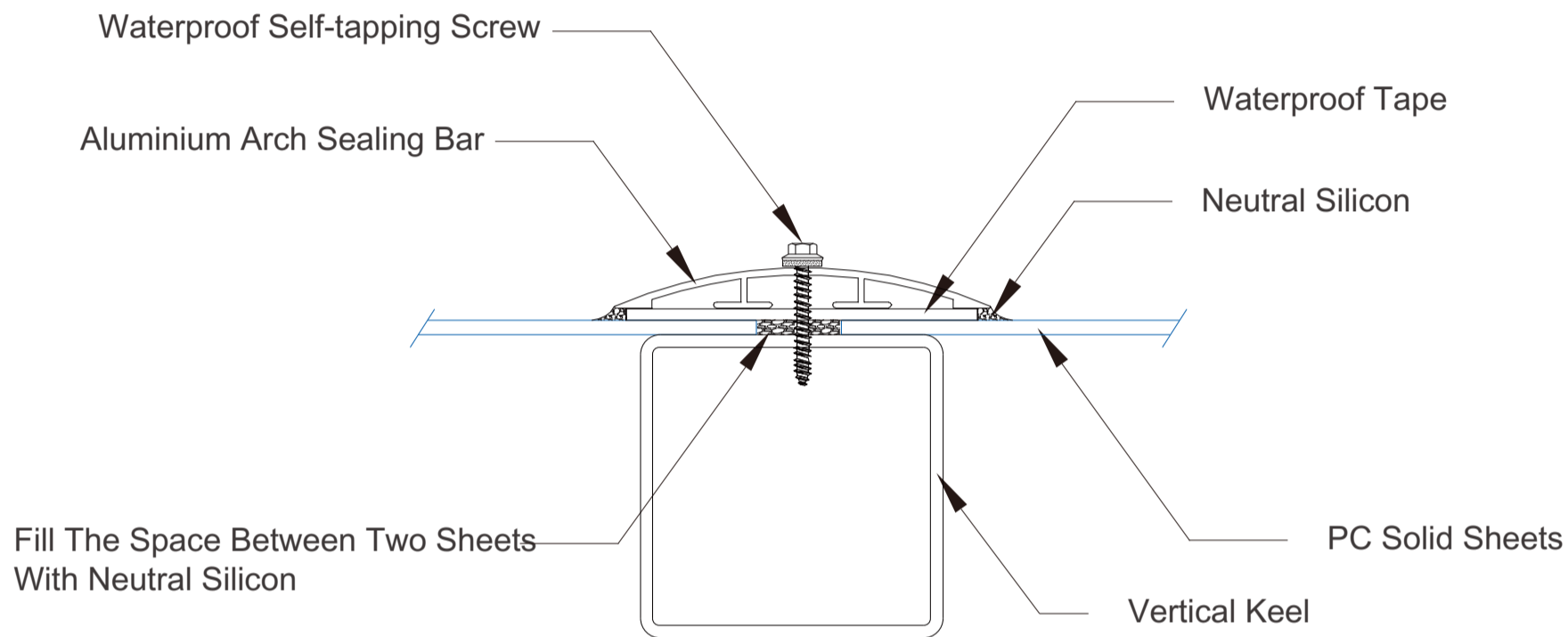
Picture 5



4. Common Installation Method (With Vertical Keel)

Points For Attention:

The space between two sheets should be filled with neutral silicon. After the installation, the edges of the arch sealing bar should be sealing with neutral silicon (Picture 6).



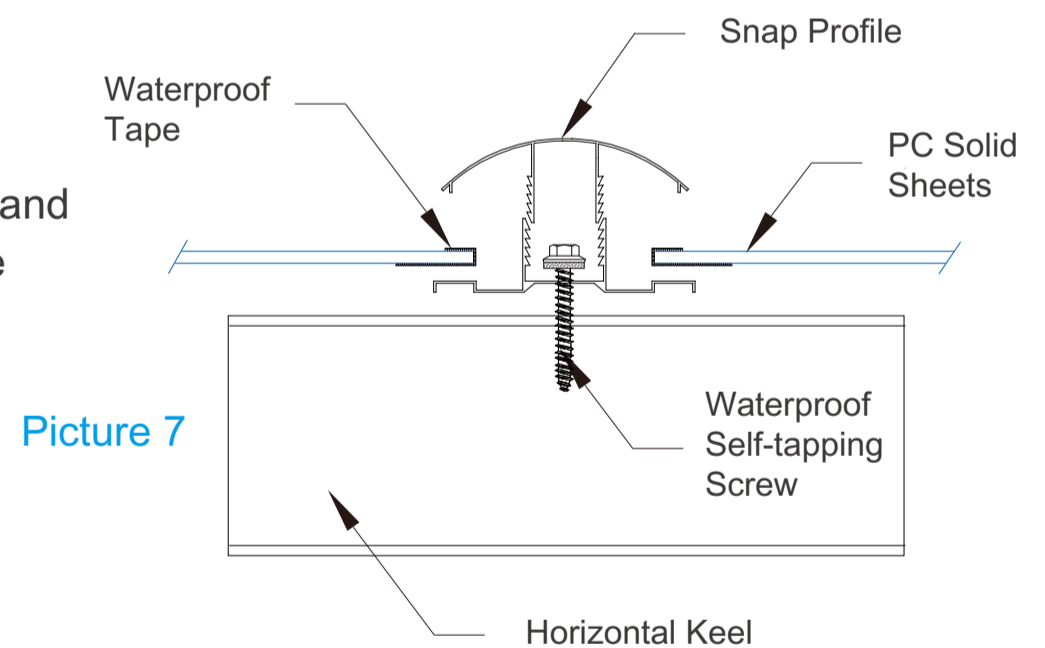
Picture 6

5. Simple Installation Method (Without Vertical Keel)

A: The design of snap profile (Picture 7)

Points For Attention:

Paste the waterproof tape tightly on both edges of the sheet and then put the sheets on the below part of the snap profile. The edges of the top part should be sealed with neutral silicon.

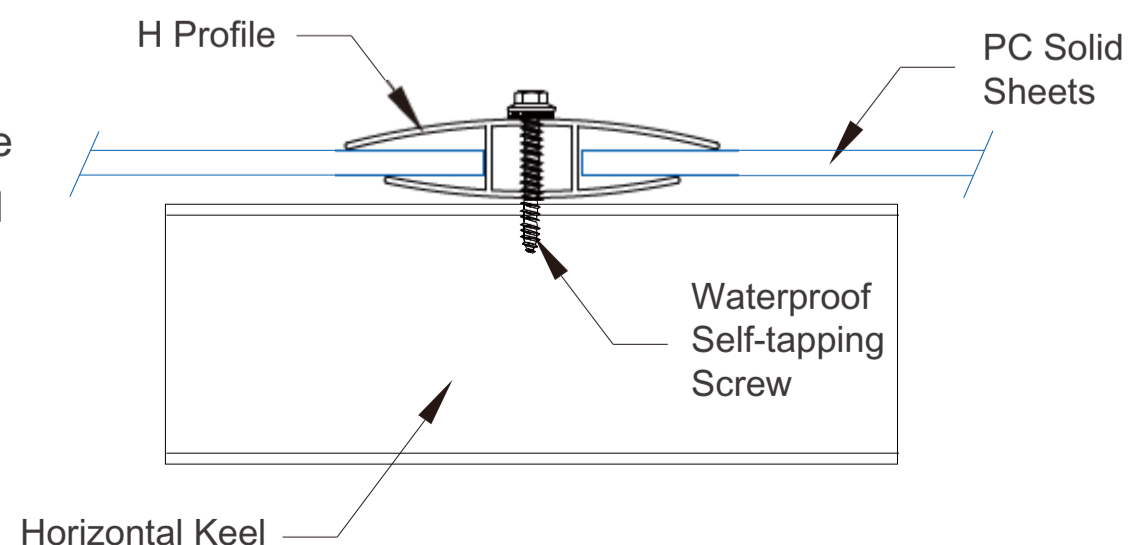


Picture 7

B: The design of H profile (Picture 8)

Points For Attention:

Spread neutral silicon on both sides of the sheet and put the edges into H-profiles which have been pour into with neutral silicon. The top edge of the H-profile should be sealed with neutral silicon.



Picture 8