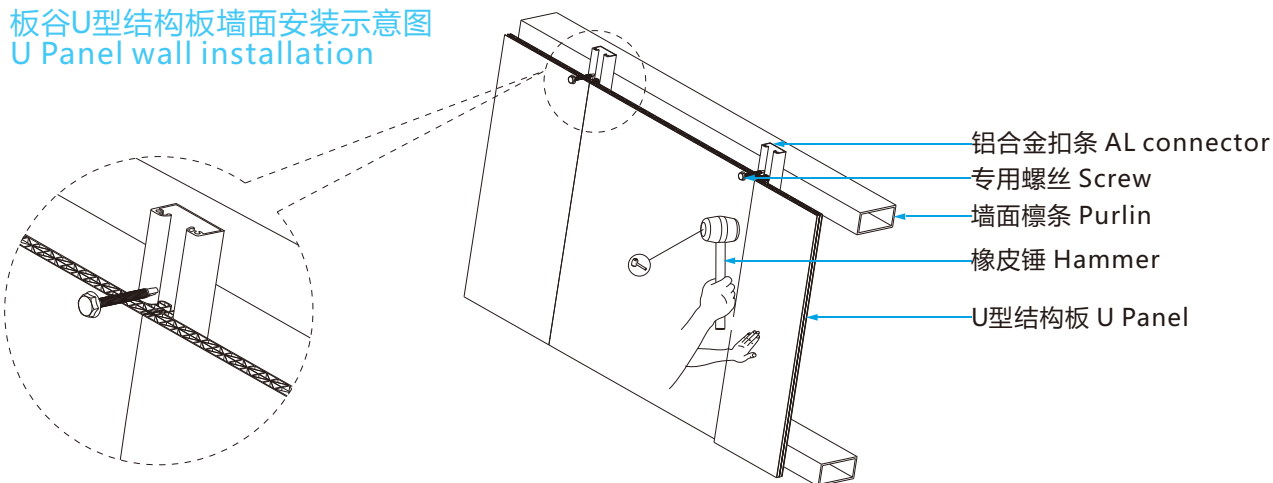


板谷U型结构板概述 About Polyvalley U Panel

板谷U型结构板安装非常简单快捷，两块板材之间有专门的扣条连接，板材表面无需任何螺丝。因此很好的保证了整个系统的完整型，不仅视觉上美观大方，更可以达到100%防漏水的效果。板谷U型阳光板表面还可以根据要求做成抗UV紫外线，抗红外隔热，散光隔热等效果。整个板材可提供15年超长质保。

The polyvalley U Panel has its own connection cover for the joint part of two panels. There is no need to draw any hole for screw fasten on the surface. It looks not only beautiful but also can be 100% water proofed. UV coating, IR (Heat insulation) coating can be added on the surface as required. And Polyvalley offers 15 year quality warranty to all their U Panels.

板谷U型结构板墙面安装示意图 U Panel wall installation



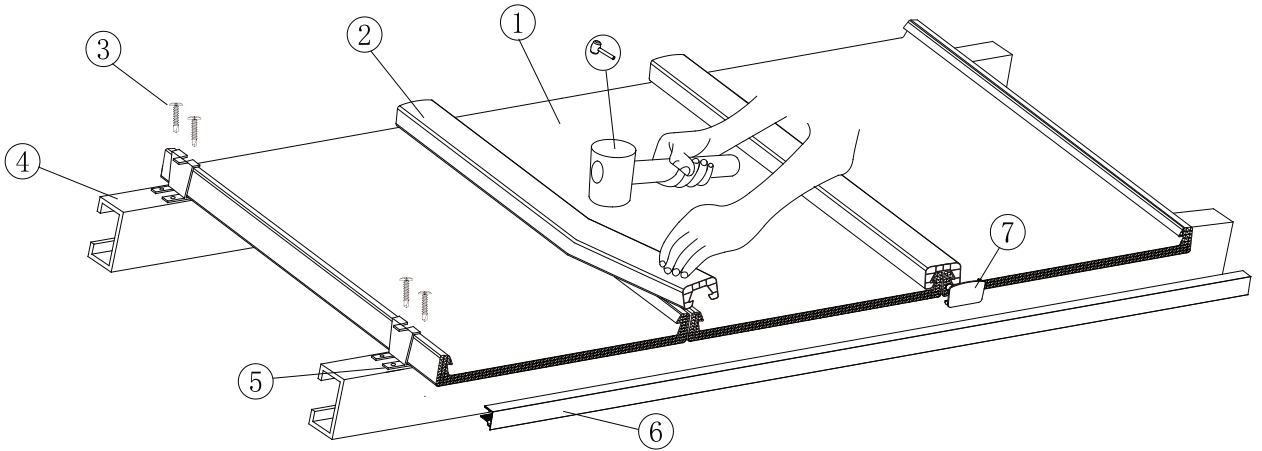
产品结构板图及基本参数 U Panel basic specification

U型结构板 U Panel	厚度 Thickness (mm)	宽度 Width (mm)	K值 K value (W/m ² °C)	最小弯曲半径 Bending radius (m)
	6mm	700	2.65	4.20
	8mm		2.57	4.60
	10mm		2.40	5.00
	12mm		2.22	5.40
	14mm	700	2.10	5.80
	16mm		2.00	6.20
	18mm		1.85	6.60
	20mm		1.65	7.00
	25mm	700	1.40	8.00
	28mm		1.30	8.60
	30mm		1.15	9.00
	32mm		1.10	9.40

板谷科技可根据客户要求定做各种颜色（透明，冰色，乳白，湖蓝，超绿，茶色，宝蓝，烟色等），板材表面或者双面可以做UV抗紫外线处理，IR隔热处理，防炫目处理等等。Polyvalley can make any colors (clear, ICE, opal, blue, green, smoke, bronze ETC.) as customer requirement. The surface or both sides can be done as anti-UV, IR, or anti-glare.

屋顶安装总示意图 Roof Installation

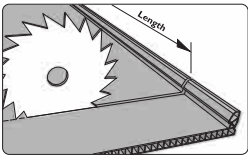
板谷科技可提供全套U型板安装配件，这些配件都经过严格测试，未经同意，请勿使用与U型板不配套的其他配件。Accessories offered by polyvalley have been tested fully compatible with U Panel. Please do not use other accessories without Polyvalley permission.



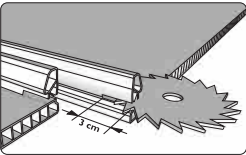
- | | |
|-----------------------------|------------------------------------|
| ① 板谷U型结构板 U Panel | ⑤ 不锈钢紧固件 Stainless plate #304 |
| ② PC扣条 PC cover gasket #302 | ⑥ 铝合金 (PC) 收边条 AL U profile #301 |
| ③ 专用紧固件螺丝 Screw #305 | ⑦ 堵头 End cap #311 |
| ④ 檩条, 骨架 Purlin | ⑧ 橡皮锤 Rubber hammer |

屋顶U型板安装步骤图解 U Panel Roof Installation steps

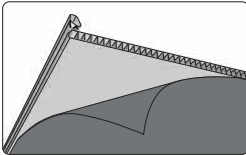
1,切割成具体的尺寸
Cut to Size



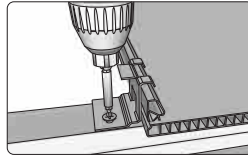
2,割边以便装收边条
Slit for Edge Profile



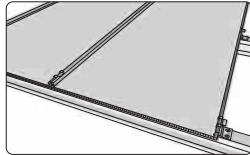
3,撕掉底膜
Remove inner Film



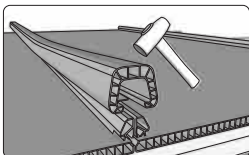
4,安装紧固件及第一块U板
Fix the First Panel with Plate



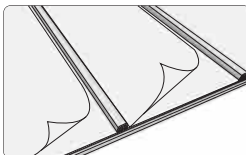
5,安装二块U型板
Install the Next Panel



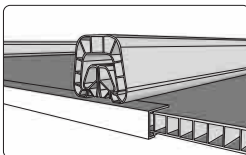
6,安装扣条
Install Cover



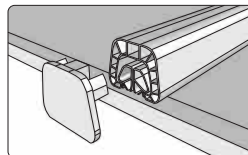
7,撕掉保护膜
Remove outside film



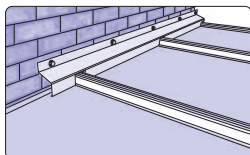
8,安装收边条
Install Edge Profile



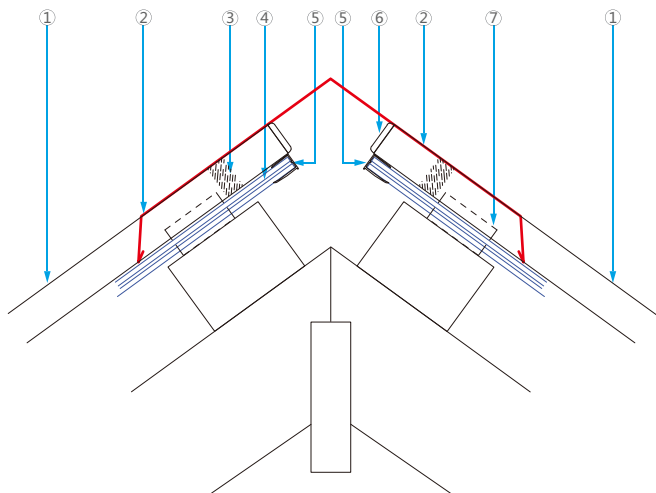
9,安装堵头
Install End Cap



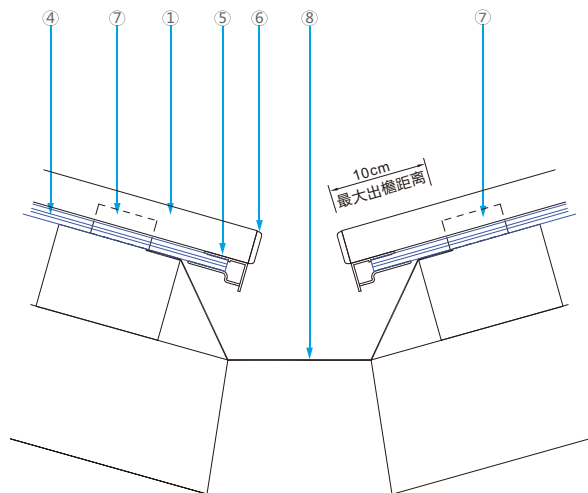
10,完成安装
Finish Installation



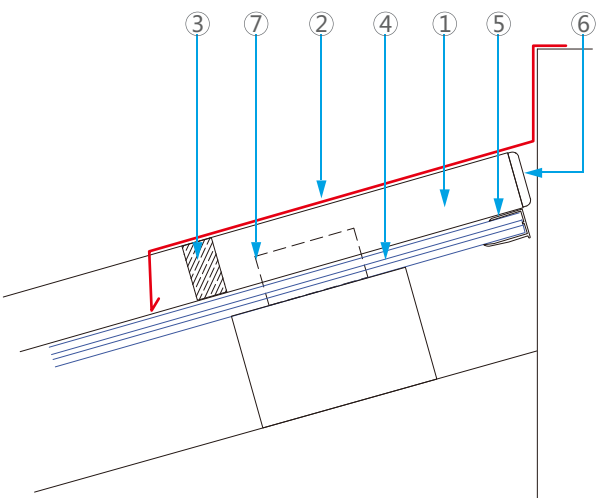
屋顶U型板屋脊、收尾、墙面、搭接等处理图解 U Panel Installation on ridge, eave, connection etc.



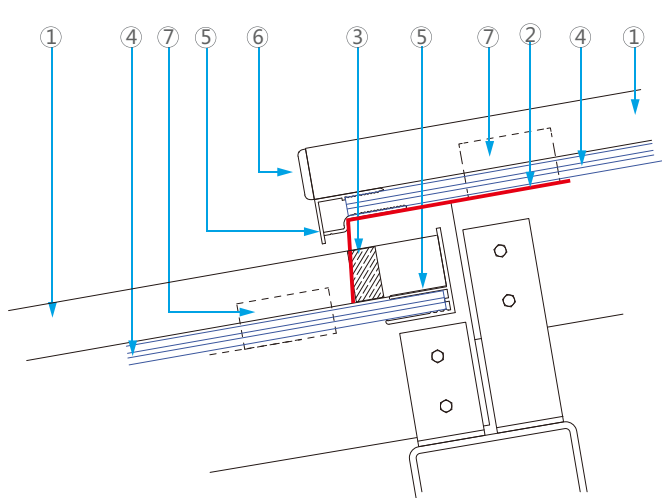
- ① 扣条 Cover gasket
- ② 镀锌钢板泛水板 Water-proofed Galvanized Steel sheet
- ③ 填充泡沫 Compressible Foam
- ④ U型板 U Panel



- ⑤ U型收边条 U Profile #301
- ⑥ 扣条堵头 End Cap #311
- ⑦ 不锈钢紧固件 Stainless Fastener #304
- ⑧ 水槽 Gutter



- ① 扣条 Cover gasket
- ② 镀锌钢板泛水板 Water-proofed Galvanized Steel sheet
- ③ 填充泡沫 Compressible Foam
- ④ U型板 U Panel



- ⑤ U型收边条 U Profile #301
- ⑥ 扣条堵头 End Cap #311
- ⑦ 不锈钢紧固件 Stainless Fastener #304
- ⑧ 水槽 Gutter

板谷U型结构案例 U Panel gallery

